

## Extraction Arm NEX D

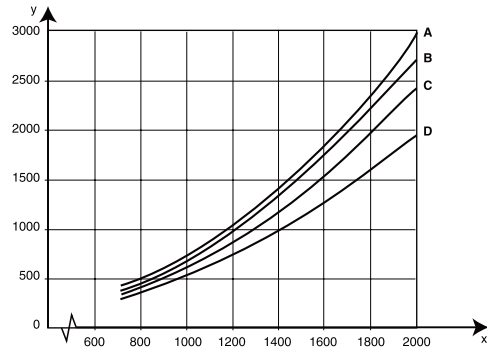


The Nederman NEX D is equipped with an earthed ventilation hose made of FDA approved ingredients. The NEX D arm is suitable for industries where hygiene is a top priority. NEX D has concealed joints and a separate easy to mount hose. Enclosed support arm, separate hose and a stainless steel hood means the NEX arm requires little maintenance and is easy to clean.

The Nederman NEX D is recommended for use in explosive environments, zone 22. The arm is single earthed by the helix in the hose. The hose is made of polyurethane (PUR) with FDA approved components.

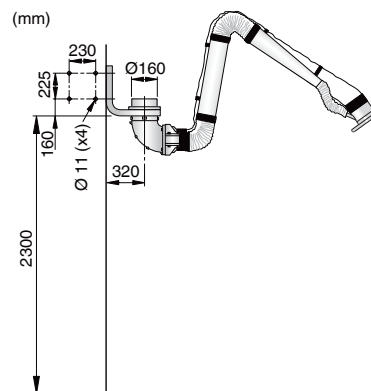
Hoses with even higher resistance to aggressive solids and gaseous media is available, see *Ventilation hose for chemical purposes*.

### Pressure drop



X: airflow m<sup>3</sup>/h Y: static pressure Pa A: 5 m, B: 4 m, C: 3 m, D: 2 m

### Dimensions



### Technical Data

Description	Reach, m	Airflow, m <sup>3</sup> /h	Connection Ø, mm	Max. fume temperature, °C	Noise level at hood, dB(A)	Weight, kg	Part no.
NEX D 2m	2	900–1700	160	70	56–81	17	10500232
NES D 3m	3	900–1700	160	70	55–80	21	10500332
NEX D 4m	4	900–1700	160	70	54–77	28	10500432
NEX D 5m	5	900–1700	160	70	54–77	32	10500532
NEX D 2m, hood with damper	2	900–1700	160	70	56–81	17	10501232
NEX D 3m, hood with damper	3	900–1700	160	70	55–80	21	10501332
NEX D 4m, hood with damper	4	900–1700	160	70	54–77	28	10501432
NEX D 5m, hood with damper	5	900–1700	160	70	54–77	32	10501532